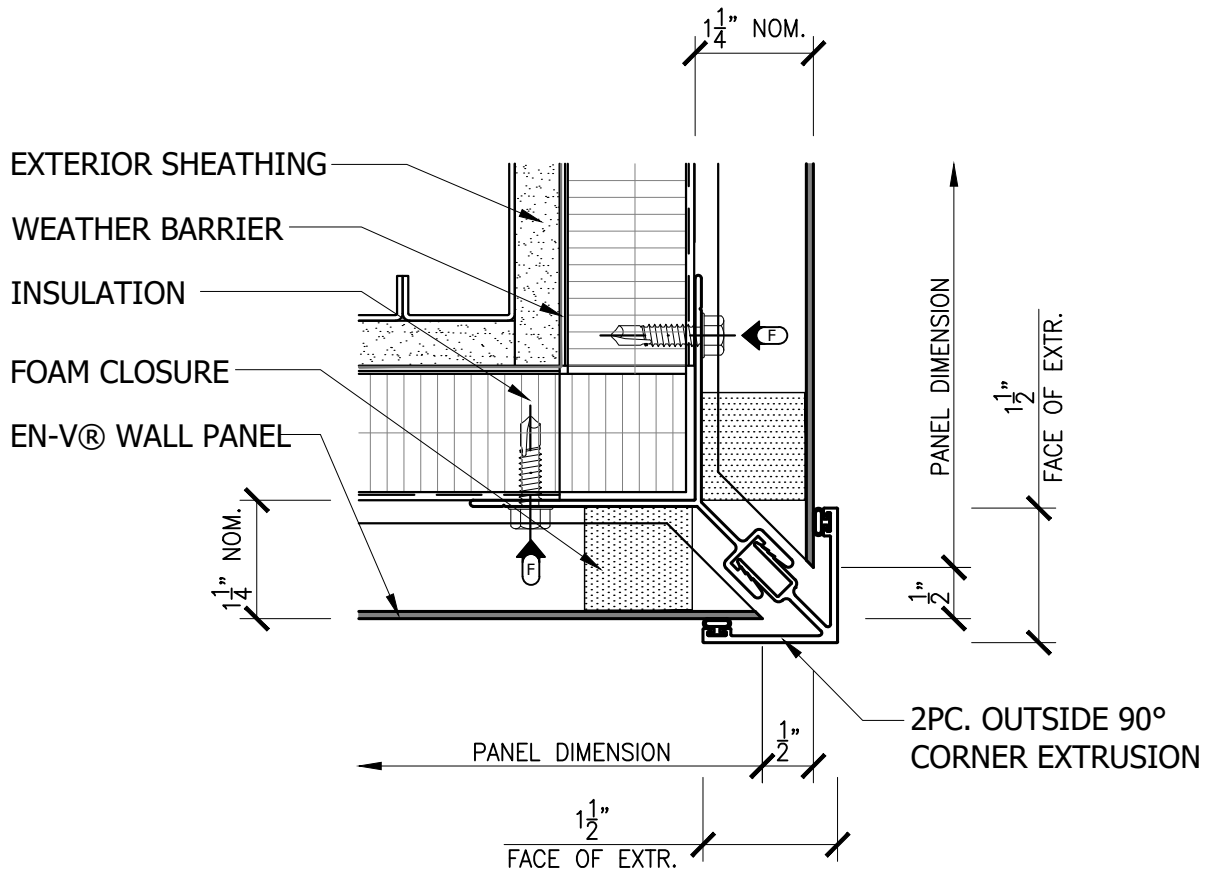


# STANDARD DETAILS



\*DETAILS ARE FOR PROMOTIONAL USE ONLY, AND SHOULD NOT BE USED FOR CONSTRUCTION.  
APRIL 2019 All rights reserved. dri-design U.S. patent #6,694,694 (Canadian Patent #2,403,399)

## OUTSIDE CORNER - SMALL EXTRUSION